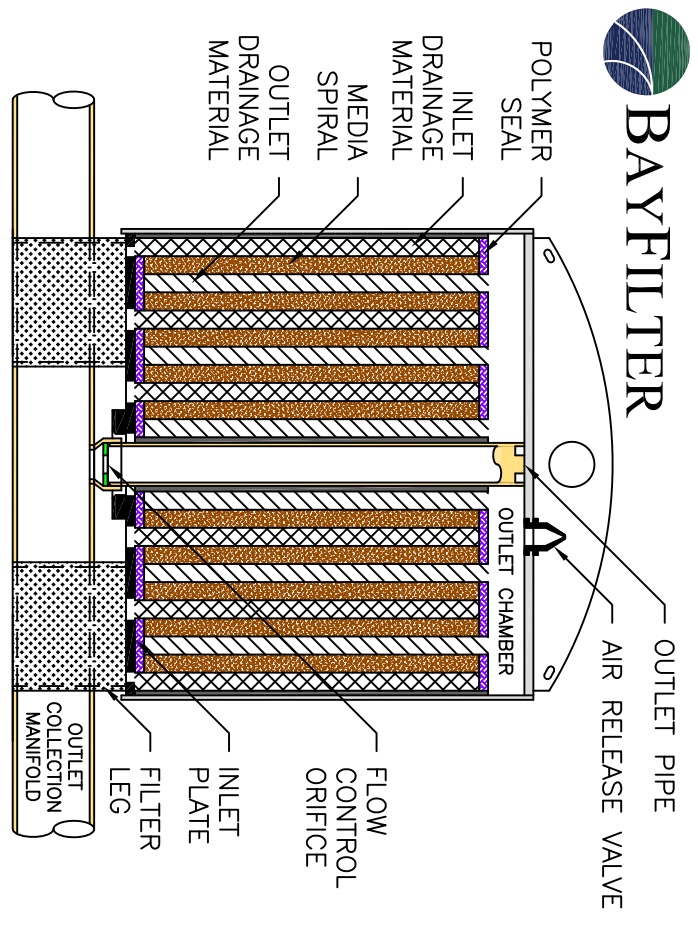
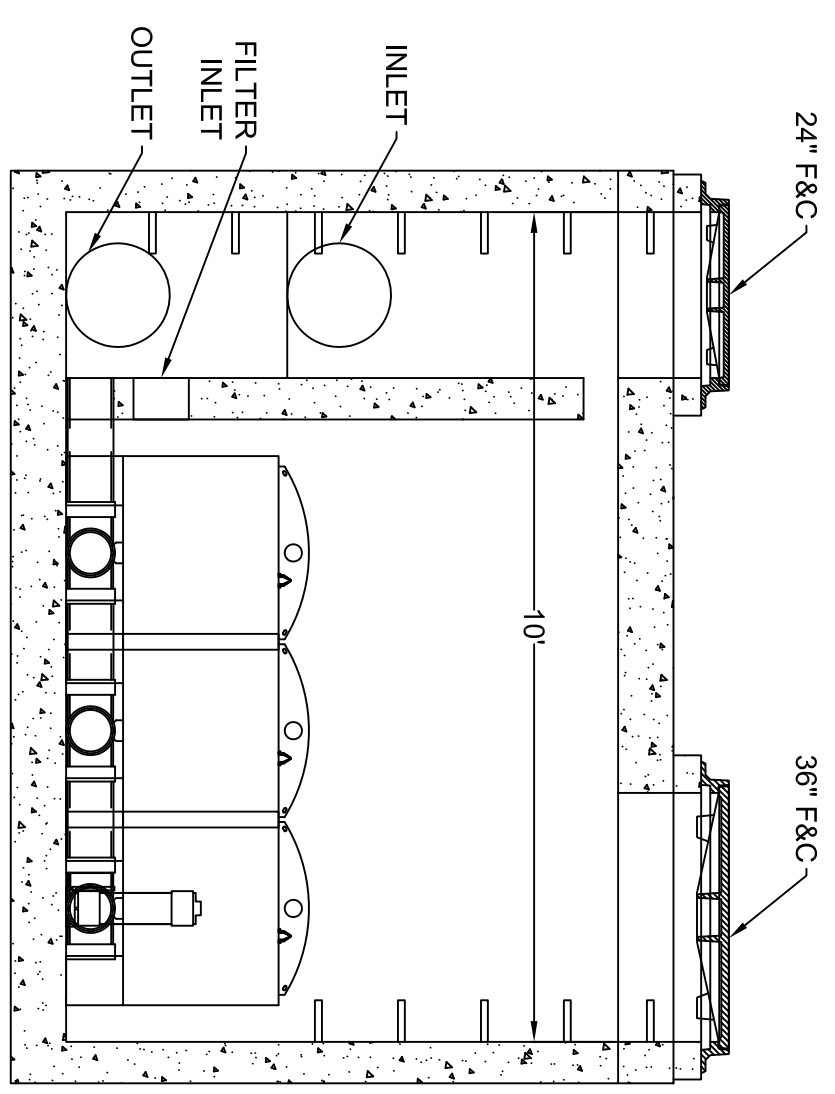


PLANVIEW
OVERLAY
HERE



BAYFILTER 545	
6-10-5 VAULT	
PROJECT	
LOCATION	
WATER QUALITY FLOW	0.50 CFS
DRAINAGE AREA	
CARTRIDGE DESIGN FLOW RATE	45 GPM
# BAYFILTER CARTRIDGES	5
TREATED SEDIMENT CAPACITY	1750 LBS

THE BAYFILTER STORMWATER MANAGEMENT SYSTEM IS A STORMWATER FILTRATION DEVICE DESIGNED TO REMOVE FINE SEDIMENTS, HEAVY METALS, AND PHOSPHORUS. THE BAYFILTER SYSTEM RELIES ON A SPIRAL WOUND MEDIA FILTER CARTRIDGE WITH APPROXIMATELY 90 SQUARE FEET OF FILTRATION AREA. THE FILTER CARTRIDGES ARE HOUSED IN A CONCRETE STRUCTURE THAT EVENLY DISTRIBUTES THE FLOW BETWEEN CARTRIDGES. THE SYSTEM IS INLINE WITH AN INTERNAL BYPASS WEIR THAT ROUTES HIGH INTENSITY STORMS AROUND THE CARTRIDGES. THE FILTER CARTRIDGES REMOVE POLLUTANTS FROM RUNOFF BY FILTRATION (INTERCEPTION/ATTACHMENT) AND ADSORPTION.



SHOWN WITH MINIMUM RECOMMENDED INSIDE VAULT HEIGHT. IF A SHALLOWER INSTALLATION IS REQUIRED, CONTACT YOUR LOCAL SALES REPRESENTATIVE.

ADS
ADVANCED DRAINAGE SYSTEMS, INC.

4640 TRUAMAN BLVD
HILLIARD, OH 43026
1-800-733-7473

BAYSAVER
TECHNOLOGIES

1030 Deer Hollow Drive 1-800-BAYSAVER
Mount Airy, MD 21771 1-800-229-7283

REV	DRW	CHK	DESCRIPTION

DATE: ---	DRAWN: ---
PROJECT #: ---	CHECKED: ---

THIS DRAWING HAS BEEN PREPARED BASED ON INFORMATION PROVIDED TO ADS UNDER THE DIRECTION OF THE SITE DESIGN ENGINEER OR OTHER PROJECT REPRESENTATIVE. THE SITE DESIGN ENGINEER SHALL REVIEW THIS DRAWING PRIOR TO CONSTRUCTION. IT IS THE ULTIMATE RESPONSIBILITY OF THE SITE DESIGN ENGINEER TO ENSURE THAT THE PRODUCT(S) DEPICTED AND ALL ASSOCIATED DETAILS MEET ALL APPLICABLE LAWS, REGULATIONS, AND PROJECT REQUIREMENTS.