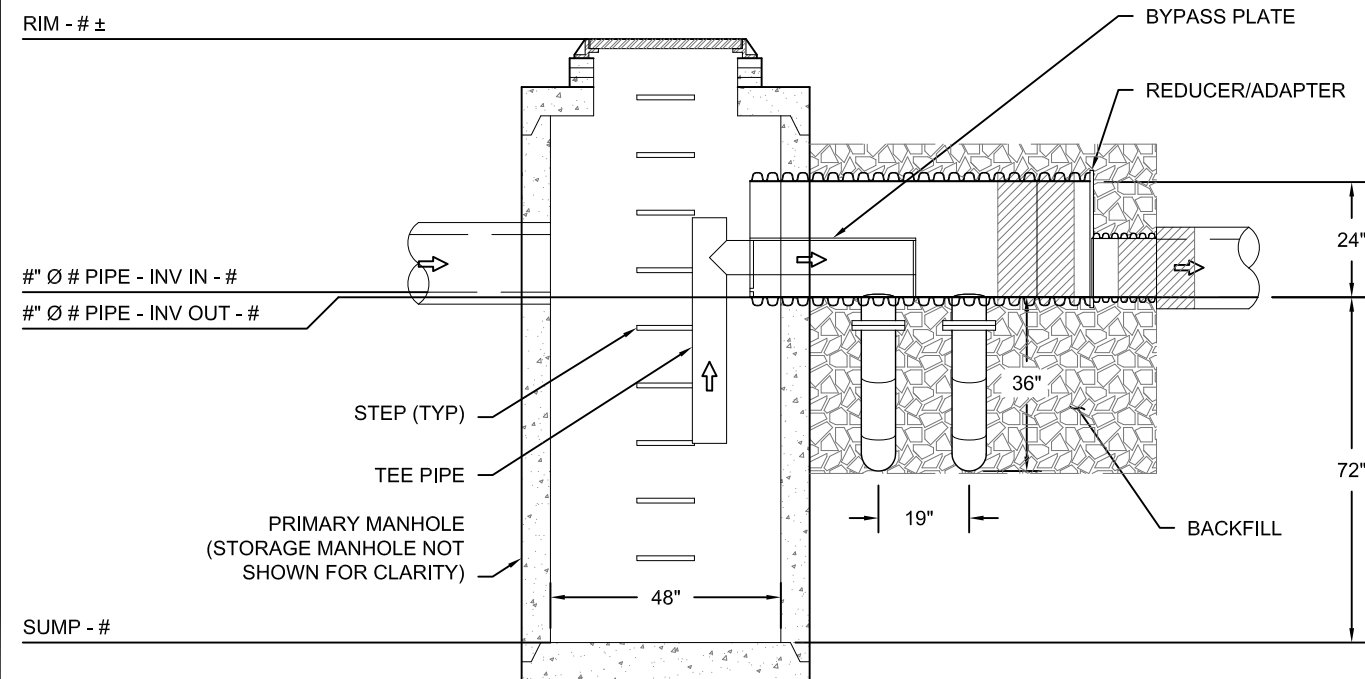


BAYSAVER BAYSEPARATOR 1/2K LEFT HAND UNIT

NTS

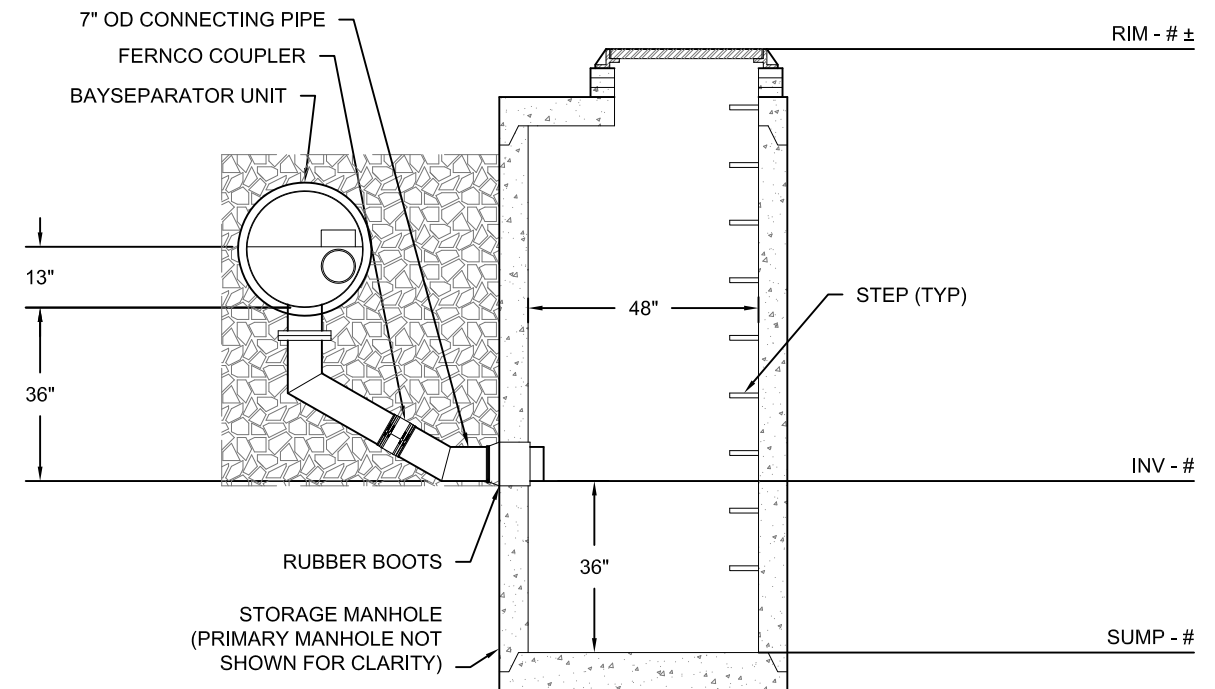
GENERAL NOTES:

1. MANHOLES SHOWN REPRESENT STANDARD PRECAST STRUCTURES PROVIDED BY OTHERS.
2. SEAL THE CONNECTING PIPES INTO THE STORAGE MANHOLE USING RUBBER BOOTS/GASKETS.
3. THE BAYSAVER SEPARATION SYSTEM INCLUDES THE SEPARATOR UNIT, (2) CONNECTING PIPES, (2) FERNCO COUPLERS,(1) REDUCER/ADAPTER, (2) MAR MAC COUPLERS
4. SEE BAYSAVER SPECIFICATIONS AND INSTALLATION INSTRUCTIONS FOR FURTHER DETAIL.
5. USE NON-SHRINK GROUT TO SEAL BAYSEPARATOR INTO THE PRIMARY MANHOLE.
6. BACKFILL: CLASS I, II OR III BACKFILL SHOULD BE USED TO AN ELEVATION OF AT LEAST 6" OVER THE CROWN OF THE SEPARATOR UNIT.
7. 12" COVER REQUIRED FOR TRAFFIC RATED SURFACE.
8. BAYSEPARATOR IS PROTECTED BY US PATENT NO. 5,746,911



PROFILE A-A

NTS



PROFILE B-B

NTS

PROJECT NAME	CITY - STATE	DATE: ###/###/##	DRAWN: XXX
		PROJECT #: #####	CHECKED: XXX

REV	DWN	CKD	DESCRIPTION

BAYSAVER TECHNOLOGIES
 1030 Deer Hollow Drive
 Mount Airy, MD 21771
 1-800-BAYSAVER
 1-800-229-7283

ADS
 ADVANCED DRAINAGE SYSTEMS, INC.
 4640 TRUEMAN BLVD
 HILLIARD, OH 43026

THIS DRAWING HAS BEEN PREPARED BASED ON INFORMATION PROVIDED TO ADS UNDER THE DIRECTION OF THE SITE DESIGN ENGINEER OR OTHER PROJECT REPRESENTATIVE. THE SITE DESIGN ENGINEER SHALL REVIEW THIS DRAWING PRIOR TO CONSTRUCTION. IT IS THE ULTIMATE RESPONSIBILITY OF THE SITE DESIGN ENGINEER TO ENSURE THAT THE PRODUCT(S) DEPICTED AND ALL ASSOCIATED DETAILS MEET ALL APPLICABLE LAWS, REGULATIONS, AND PROJECT REQUIREMENTS.