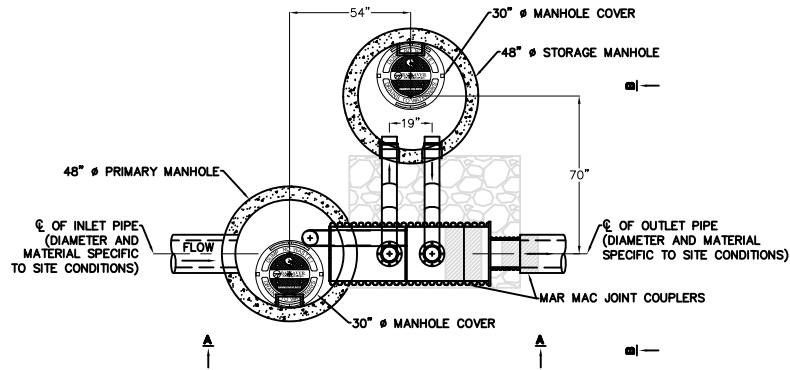
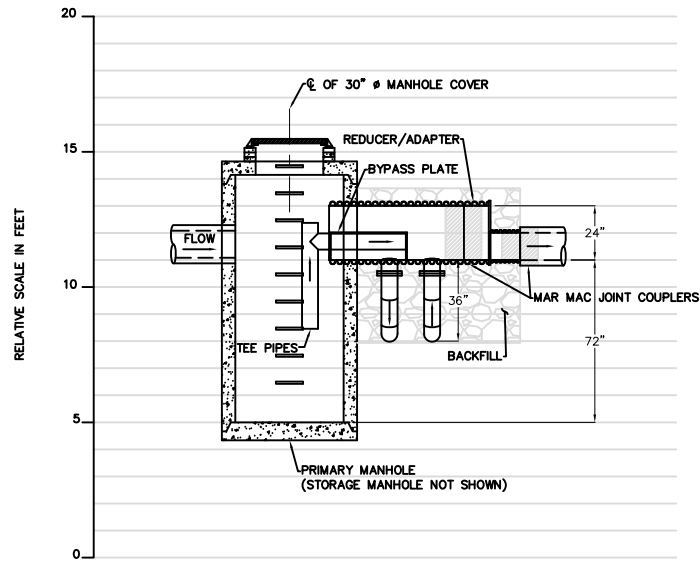


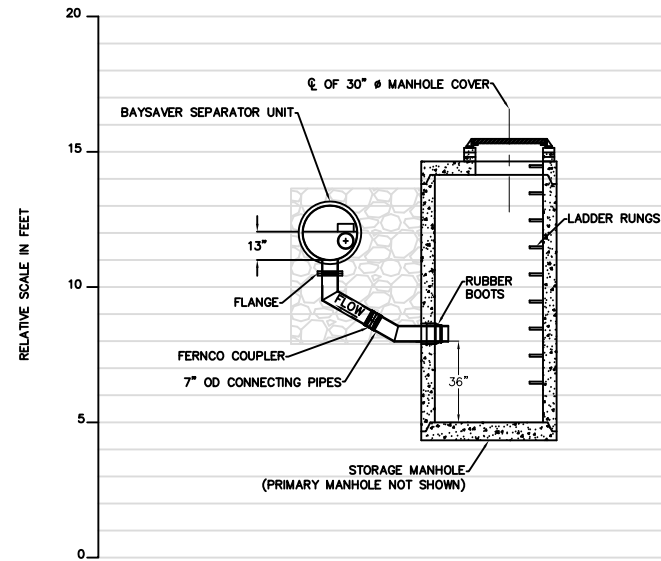
INLET PIPE INVERT:	XX.XX
INLET PIPE ID AND MATERIAL:	XX.XX
OUTLET PIPE INVERT:	XX.XX
OUTLET PIPE ID AND MATERIAL:	XX.XX
PRIMARY MANHOLE RIM ELEVATION:	XX.XX
STORAGE MANHOLE RIM ELEVATION:	XX.XX
ORIENTATION (RIGHT OR LEFT):	



**PLAN VIEW-BAYSAVER SEPARATION SYSTEM**  
(LEFT HAND ORIENTATION SHOWN)



**PROFILE VIEW A-A**



**PROFILE VIEW B-B**

**GENERAL NOTES:**

1. MANHOLES SHOWN REPRESENT STANDARD PRECAST STRUCTURES PROVIDED BY OTHERS.
2. SEAL THE CONNECTING PIPES INTO THE STORAGE MANHOLE USING RUBBER BOOTS/GASKETS.
3. THE BAYSAVER SEPARATION SYSTEM INCLUDES THE SEPARATOR UNIT, (2) CONNECTING PIPES, (2) FERNCO COUPLERS, (1) REDUCER ADAPTER, AND (2) MARMAC JOINT COUPLERS.
4. LEFT HAND ORIENTATION SHOWN. FOR RIGHT HAND ORIENTATION ROTATE STORAGE MANHOLE AND CONNECTING PIPES 180°.
5. SEE BAYSAVER SPECIFICATIONS AND INSTALLATION INSTRUCTIONS FOR FURTHER DETAIL.
6. USE NON-SHRINK GROUT TO SEAL THE INLET PIPE AND BAYSEPARATOR IN TO THE PRIMARY MANHOLE.
7. BACKFILL: CLASS I, II OR III BACKFILL SHOULD BE USED TO AN ELEVATION OF AT LEAST 6" OVER THE CROWN OF THE SEPARATOR UNIT.
8. 12" COVER REQUIRED FOR TRAFFIC RATED SURFACE.
9. BAYSEPARATOR IS PROTECTED BY US PATENT NO. 5,746,911

REV	DESCRIPTION	DATE	APPR	NOTES:
-----	-------------	------	------	--------



DESIGNED:	TEP	DATE:	7/15/13
DRAWN:	EKH	SCALE:	N.T.S.
CHECKED:	PR	DWG NO:	JK

**JK BAYSEPARATOR™**  
GENERAL SYSTEM DETAILS