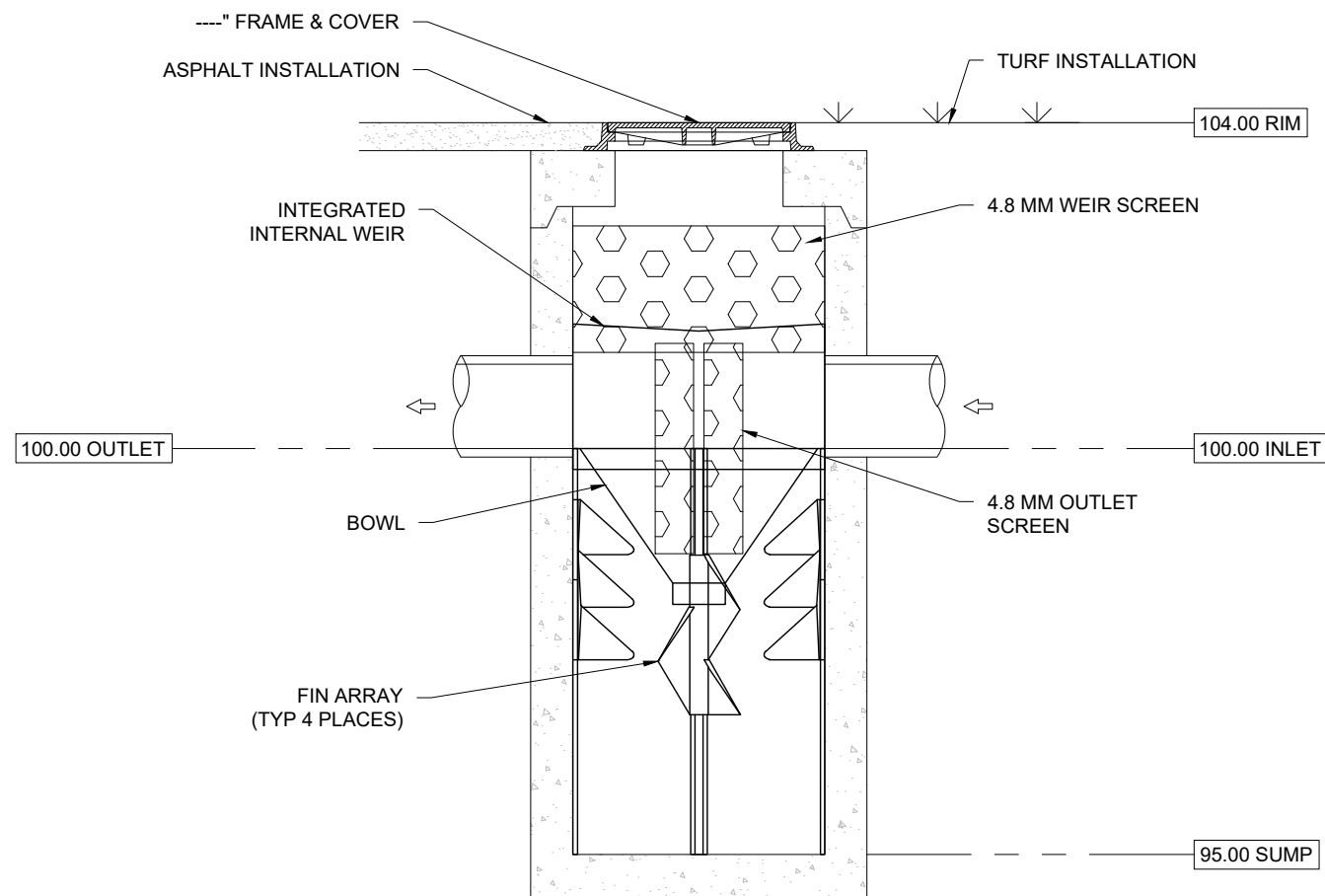
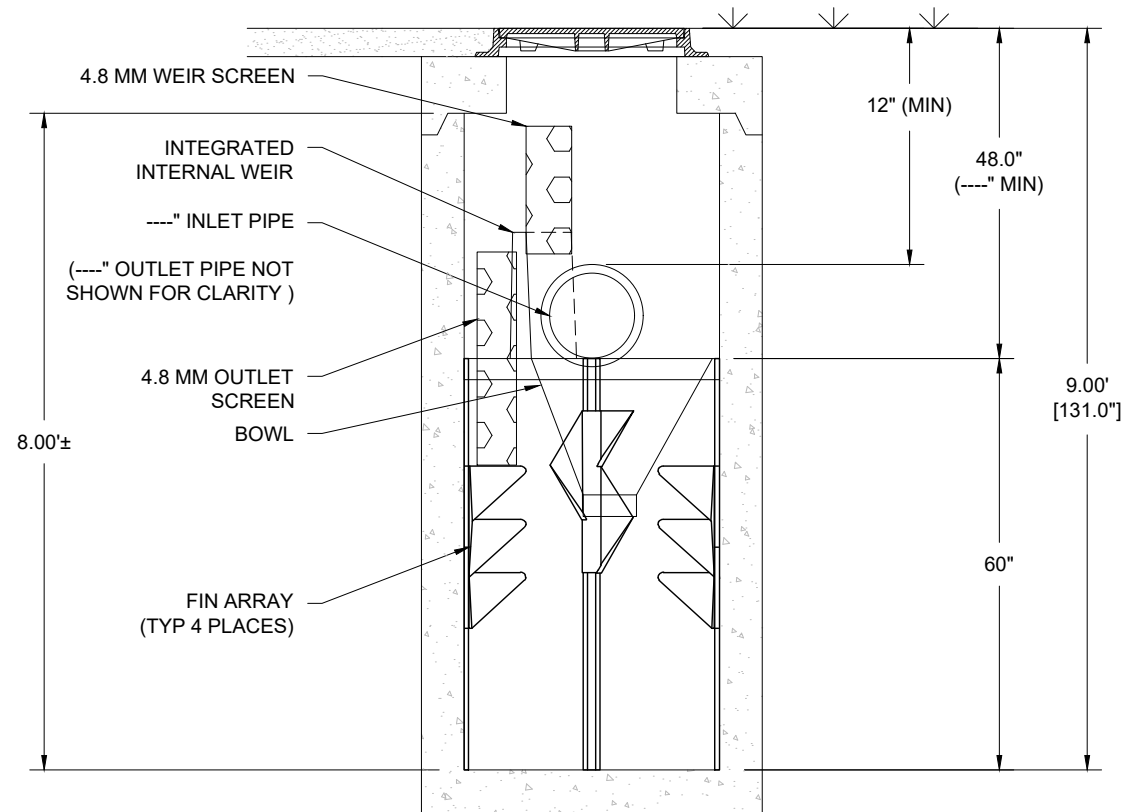


**PLAN VIEW**  
NTS



**SECTION VIEW A-A**  
NTS

BARRACUDA S3	
UNIT ID	
PEAK FLOW RATE (CFS)	
TREATMENT FLOW RATE (CFS)	



**SECTION VIEW B-B**  
NTS

BARRACUDA S3	
STANDARD DETAIL	
DATE: 3/22/19	DRAWN: EKH
PROJECT #:	
CHECKED: ----	

REV	DWN	CKD	DESCRIPTION

1030 Deer Hollow Drive  
Mount Airy, MD 21771

**Barracuda**  
1-800-BAYSAVER  
1-800-229-7283

**ADS**  
ADVANCED DRAINAGE SYSTEMS, INC.

4640 TRUEMAN BLVD  
HILLIARD, OH 43026

**NOT TO SCALE**

THIS DRAWING HAS BEEN PREPARED BASED ON INFORMATION PROVIDED TO ADS UNDER THE DIRECTION OF THE SITE DESIGN ENGINEER OR OTHER PROJECT REPRESENTATIVE. THE SITE DESIGN ENGINEER SHALL REVIEW THIS DRAWING PRIOR TO CONSTRUCTION. IT IS THE ULTIMATE RESPONSIBILITY OF THE SITE DESIGN ENGINEER TO ENSURE THAT THE PRODUCT(S) DEPICTED AND ALL ASSOCIATED DETAILS MEET ALL APPLICABLE LAWS, REGULATIONS, AND PROJECT REQUIREMENTS.